



PACIFIC NORTHWEST BARBECUE ASSOCIATION

# Skagit Valley

## BARBECUE CHAMPIONSHIP

SPONSORED BY

**FOOD**  
**Pavilion**

**Sign up now!**

**\$7,500<sup>00</sup>**

**In Prizes**

**Date:** June 19-20, 2010

**Location:**

**FOOD**  
**Pavilion**

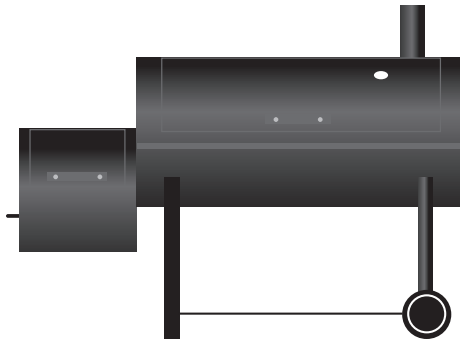
530 Crossroads Square  
Sedro Woolley, WA 98284  
(360) 856-1167



**ENTRY FEE: \$145 UNTIL JUNE 5TH**  
**AFTER JUNE 5TH: \$170**

Contact Information:  
Tom Wallin, 206-940-5799  
tkwallin@comcast.net

**PNWBA.COM**



RV parking onsite available (RVs will not be allowed at your cooking site but will be close by in the same lot) – **No utilities available.**

In addition to the individual categories, we will have a **BEST Booth Category.** So Dress up your booth!!!

No power will be available for cooks - quiet generators will be allowed.

**Extra Category: Grilled/BBQ Pizza!** No store bought or pre-made pizza will be allowed. It must be made on site. Store bought pizza dough or crust (without toppings) will be allowed. Presentation will be in cardboard pizza boxes supplied by the Head Judge.

## Competition Schedule

LOAD IN IS <b>SATURDAY</b>	9:00 AM–NOON	<b>SUNDAY</b>	
<b>MEAT INSPECTION BEGINS AT NOON</b>		10:00 AM	<b>JUDGES MEETING</b>
COOKS MEETING	3:00 PM	11:00 AM	<b>PORK BUTT</b>
JUDGES MEETING	4:00 PM	12:00 PM	<b>BRISKET</b>
TURN IN– <b>GRILLED/BBQ PIZZA</b>	5:00 PM	1:00 PM	<b>CHICKEN</b>
<b>POTLUCK AT</b>	<b>7:30 PM</b>	2:00 PM	<b>RIBS</b>
		4:00–4:30 PM	<b>AWARDS</b>

**Award Payouts:** GRAND CHAMPION: \$1,000 | RESERVE CHAMPION: \$400

### Each Category

FIRST PLACE:	\$300
SECOND PLACE:	\$250
THIRD PLACE:	\$200
FOURTH PLACE:	\$150
FIFTH PLACE:	\$100
SIXTH PLACE:	\$50
SEVENTH PLACE:	\$25
EIGHTH PLACE:	\$25
NINTH PLACE:	\$25
TENTH PLACE:	\$25

### Grilled/BBQ Pizza

FIRST PLACE:	\$300
SECOND PLACE:	\$250
THIRD PLACE:	\$200
FOURTH PLACE:	\$150
FIFTH PLACE:	\$100
SIXTH PLACE:	\$50
SEVENTH PLACE:	\$25
EIGHTH PLACE:	\$25
NINTH PLACE:	\$25
TENTH PLACE:	\$25

### Best Booth

FIRST PLACE:	\$150
SECOND PLACE:	\$100
THIRD PLACE:	\$50
FOURTH PLACE:	\$25
FIFTH PLACE:	\$25

EVERY team must have a 2A 40BC or 3A 40BC fire extinguisher with a current inspection tag or a current receipt. Current is less than 1 year old! Fire Department personnel will be onsite to perform inspections. Check your fire extinguisher before arriving! No fire extinguisher, no cooking!

**Please make checks payable (US Dollars) to "PNWBA" and send along with this registration to: "SKAGIT VALLEY BBQ CHAMPIONSHIP" Cookoff 23632 Highway 99, #F127, Edmonds, WA 98026**

Entry Fee is enclosed:  \$145 USD  \$170 USD  
 New Cook?  Yes  No  
 Current PNWBA member?  Yes  No  
 Trailer Pit?  Yes  No  
 RV?  Yes  No

Team Name: \_\_\_\_\_

Head Cook: \_\_\_\_\_

Address: \_\_\_\_\_

City/State/Zip: \_\_\_\_\_

Phone: \_\_\_\_\_  Cell  Home

Email address: \_\_\_\_\_

Signature of Head Cook: \_\_\_\_\_

Date: \_\_\_\_\_

RELEASE—Waiver of Liability: In consideration of your accepting this entry, I the undersigned, intending to be legally bound hereby, forever release, discharge and hold harmless the Pacific Northwest Barbecue Association (PNWBA), its officers and board members, event coordinators and judges, volunteers and employees from any and all liability for damages, injuries, or loss of any type whatsoever which may arise directly or indirectly as the result of the operation of this event. I agree that my participation shall be at my own risk and expense; and that whatever goods, services, entertainment or any other lawful pursuit which I may provide or participate in, to any extent, is at my own free will, expense and exposure; and that this RELEASE is given of my own free will and accord. Further, I hereby grant full permission to event organizers, the PNWBA, and/or their agents authorized by them, to use any photographs, videotapes, motion pictures, recordings or other record of this event for any legitimate purpose. I agree to abide by the rules and regulations of the PNWBA. The PNWBA reserves the right to refuse entry.